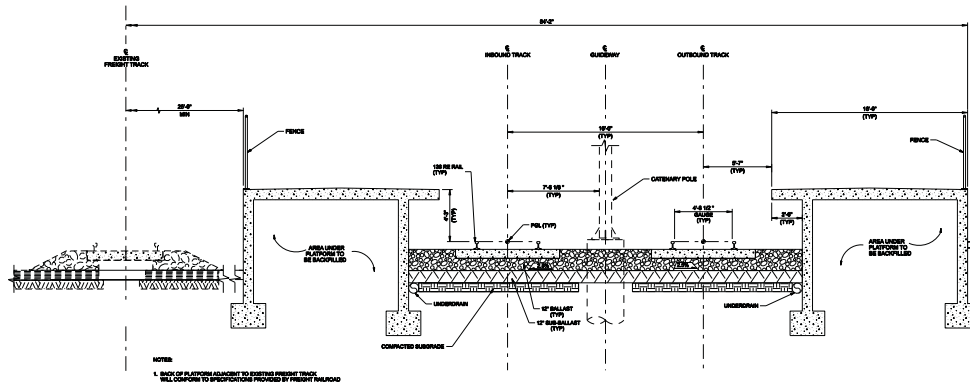
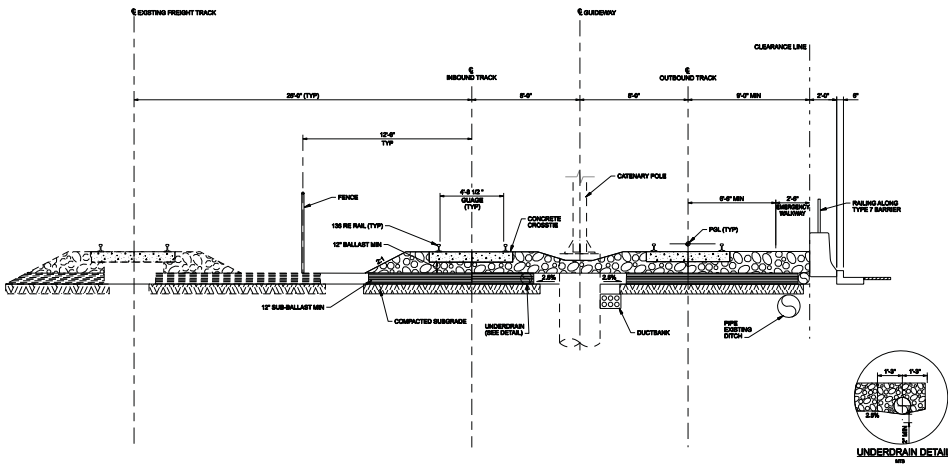


Typical Commuter Rail Cross Sections

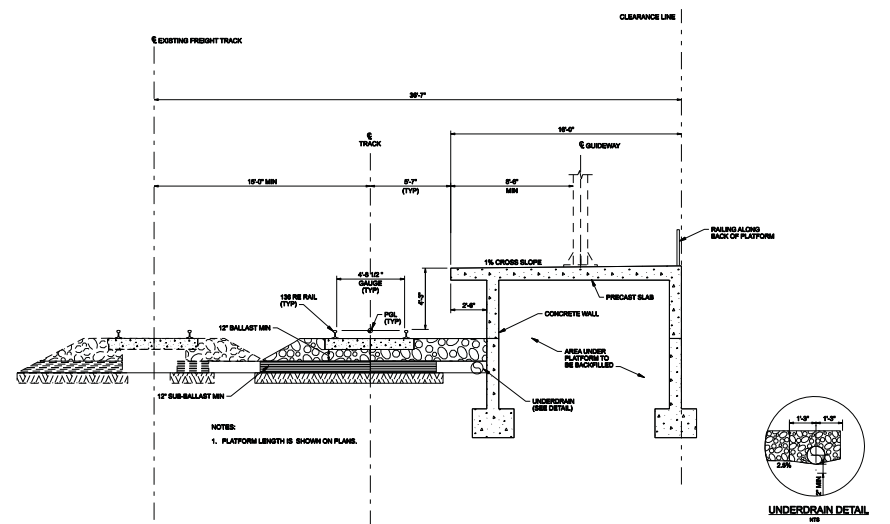
Commuter Rail Station Single Track Side Platform



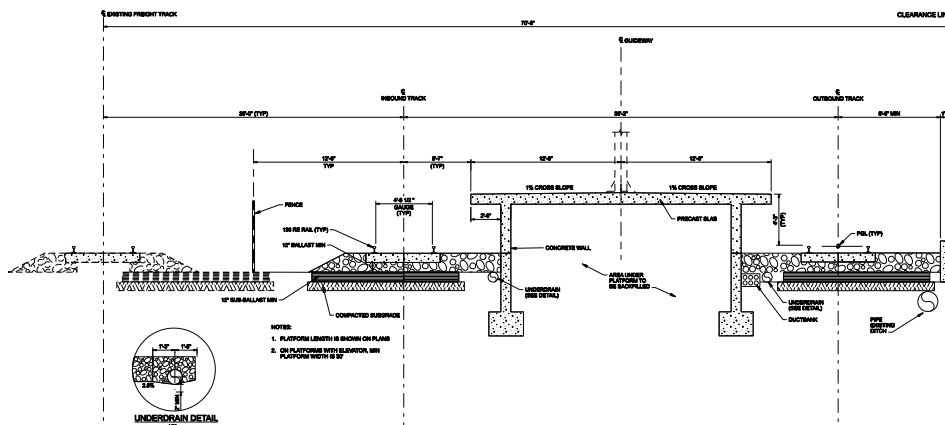
Commuter Rail Station Tangent Section Along an Existing Road



Commuter Rail Station Single Track Side Platform



Commuter Rail Station - Center Platform



Commuter Rail - Single Track Section

